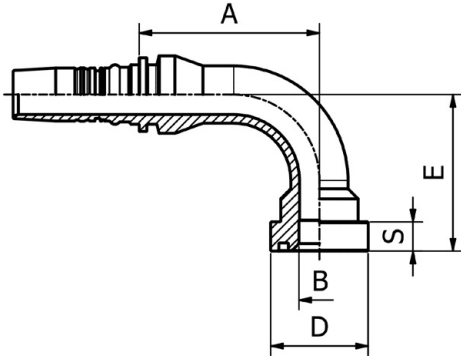


ORIGINAL EQUIPMENT CONNECTIONS

M43990

90° SUPERCAT SERIES FLANGE



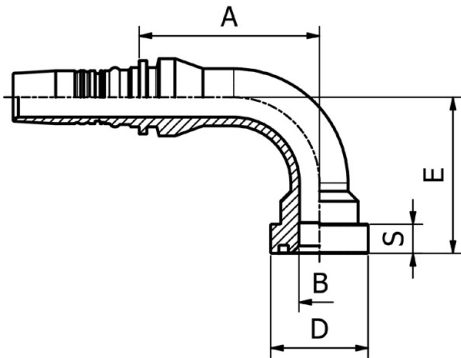
PART. REF.	HOSE BORE			Flange	DIMENSIONS mm					
	DN	Dash	inch		inch	B	A	D	E	S
M43990-12-12	19	- 12	3/4"	3/4"	16.0	72.5	41.5	64.5	14.3	
M43990-12-16	19	- 12	3/4"	1"	20.0	75.0	47.7	69.5	14.3	
M43990-16-16	25	- 16	1"	1"	20.0	88.5	47.7	76.5	14.3	
M43990-16-20	25	- 16	1"	1.1/4"	26.1	86.5	54.0	80.5	14.3	
M43990-20-20	31	- 20	1.1/4"	1.1/4"	26.1	98.5	54.0	85.0	14.3	
M43990-20-24	31	- 20	1.1/4"	1.1/2"	32.0	104.0	63.7	101.0	14.3	
M43990-24-24	38	- 24	1.1/2"	1.1/2"	32.0	112.5	63.7	96.0	14.3	
M43990-24-32	38	- 24	1.1/2"	2"	42.0	115.0	79.3	112.0	14.3	
M43990-32-32	51	- 32	2"	2"	42.0	144.0	79.3	133.5	14.3	

207 FITTINGS

ORIGINAL EQUIPMENT CONNECTIONS

M43990 LONG DROP

90° LONG DROP SUPERCAT SERIES FLANGE



PART. REF.	HOSE BORE			Flange	DIMENSIONS mm					
	DN	Dash	inch		inch	B	A	D	E	S
M43990-16-16150	25	- 16	1"	1"	20.0	88.5	47.7	150.0	14.3	
M43990-16-16132	25	- 16	1"	1"	20.0	88.5	47.7	132.0	14.3	
M43990-16-20150	25	- 16	1"	1.1/4"	26.1	88.5	54.0	150.0	14.3	
M43990-20-24135	31	- 20	1.1/4"	1.1/2"	32.0	98.5	63.7	135.0	14.3	
M43990-20-20150	31	- 20	1.1/4"	1.1/4"	26.1	98.5	54.0	150.0	14.3	
M43990-20-20092	31	- 20	1.1/4"	1.1/4"	26.1	98.5	54.0	92.0	14.3	
M43990-24-24106	38	- 24	1.1/2"	1.1/2"	32.0	112.5	63.7	106.0	14.3	